

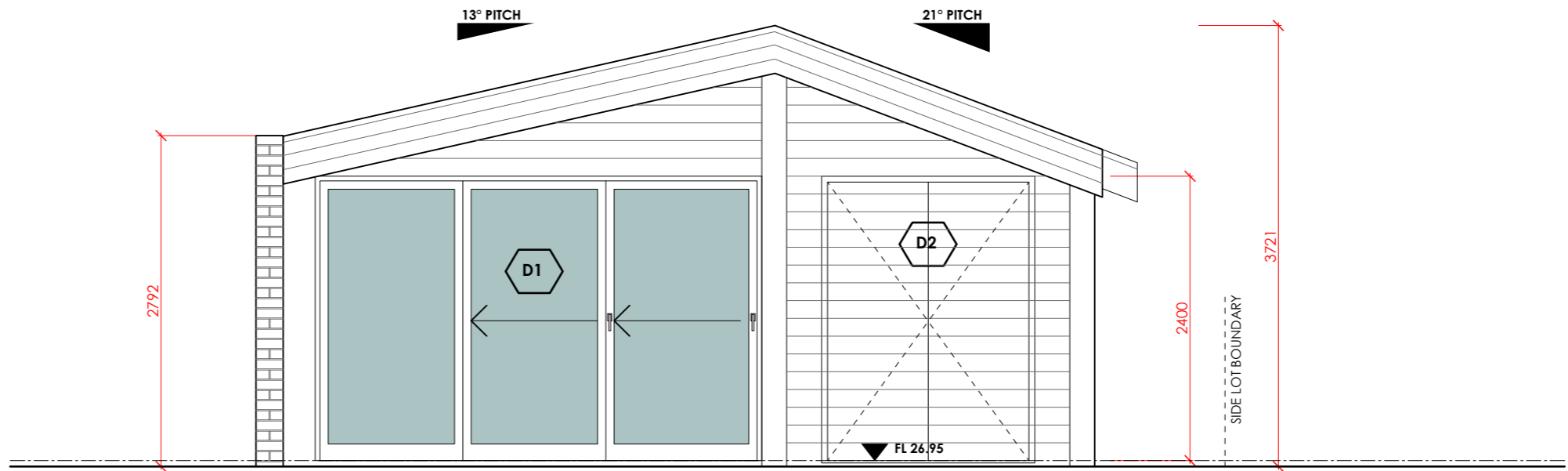
- W1 - EXTERNAL WALL**
 SELECTED CLADDING
 35 H2 TIMBER BATTEN
 SISLATION
 R2.5 INSULATION BATTS
 90 H2 TIMBER STUD WALL
 10 GYPROCK

- W2 - EXTERNAL WALL**
 110 COMMON SOLID BRICK
 30 CAVITY
 SISLATION
 R2.5 INSULATION BATTS
 90 H2 TIMBER STUD WALL
 10 GYPROCK

- W3 - INTERNAL WALL**
 10 GYPROCK
 R2.5 SOUND ATTENUATING BATTS
 90 H2 TIMBER STUD WALL
 10 GYPROCK

- R1 - ROOFING**
 SELECTED COLORBOND ROOF SHEETING
 ANTICON SISLATION
 45 x 70 H2 TIMBER BATTENS
 R3.5 INSULATION BATTS
 190 H2 TIMBER RAFTERS
 10 GYPROCK

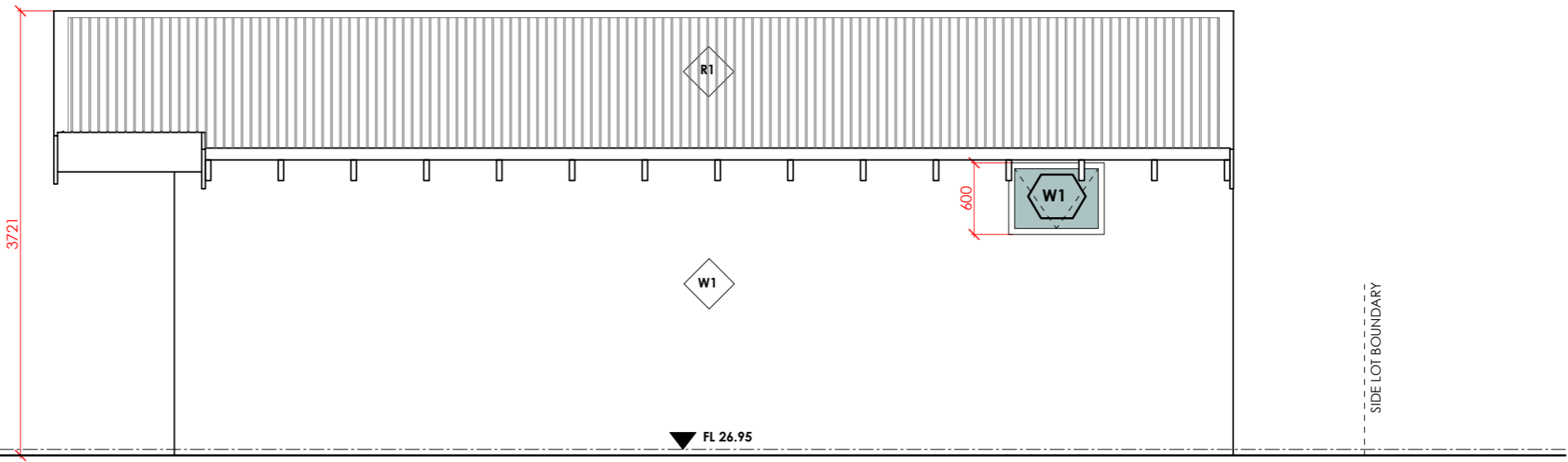
- F1 - FLOORING**
 SELECTED FLOORING
 100 REINFORCED CONCRETE
 DAMP PROOF MEMBRANE
 COMPACTED EARTH



1

NORTH ELEVATION

1 : 50 @ A3



2

WEST ELEVATION

1 : 50 @ A3

PROJECT TITLE-	LOCATION-	PROJECT DESCRIPTION-	PROJECT No-	DRAWING TITLE-	No.	ISSUED	DATE	DRAWING No-	USE FIGURED DIMENSION AT ALL TIMES. DO NOT SCALE OFF DRAWINGS. ALL DIMENSIONS AND LEVELS TO BE CHECKED BY CONTRACTOR PRIOR TO COMMENCING. IF DISCREPANCIES ARE FOUND, NOTIFY DESIGN OFFICE PRIOR TO COMMENCING. THIS DESIGN REMAINS THE COPYRIGHT OF WILD DESIGN OFFICE AND CANNOT BE COPIED WITHOUT PERMISSION.
IRWIN STREET PROPOSAL	79 IRWIN STREET EAST FREMANTLE	PROPOSED ANCILLARY DWELLING	ISSUED FOR-	W_021					
				ELEVATION DRAWINGS					
				PAGE No-					
				REVIEW					

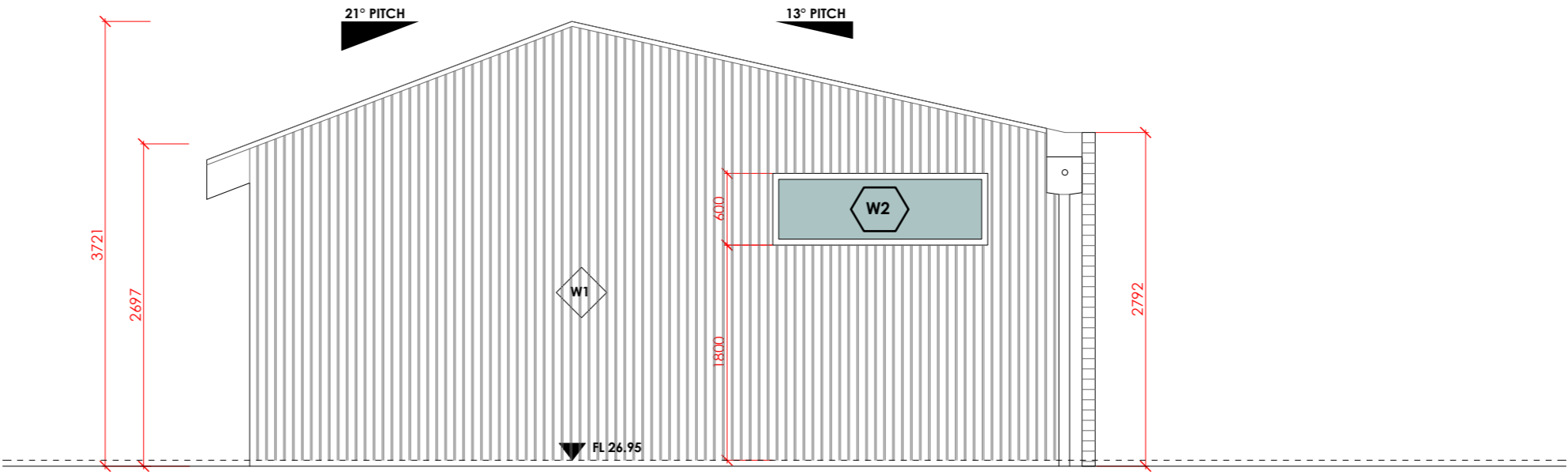
- W1 - EXTERNAL WALL**
 SELECTED CLADDING
 35 H2 TIMBER BATTEN
 SISLATION
 R2.5 INSULATION BATTS
 90 H2 TIMBER STUD WALL
 10 GYPROCK

- W2 - EXTERNAL WALL**
 110 COMMON SOLID BRICK
 30 CAVITY
 SISLATION
 R2.5 INSULATION BATTS
 90 H2 TIMBER STUD WALL
 10 GYPROCK

- W3 - INTERNAL WALL**
 10 GYPROCK
 R2.5 SOUND ATTENUATING BATTS
 90 H2 TIMBER STUD WALL
 10 GYPROCK

- R1 - ROOFING**
 SELECTED COLORBOND ROOF SHEETING
 ANTICON SISLATION
 45 x 70 H2 TIMBER BATTENS
 R3.5 INSULATION BATTS
 190 H2 TIMBER RAFTERS
 10 GYPROCK

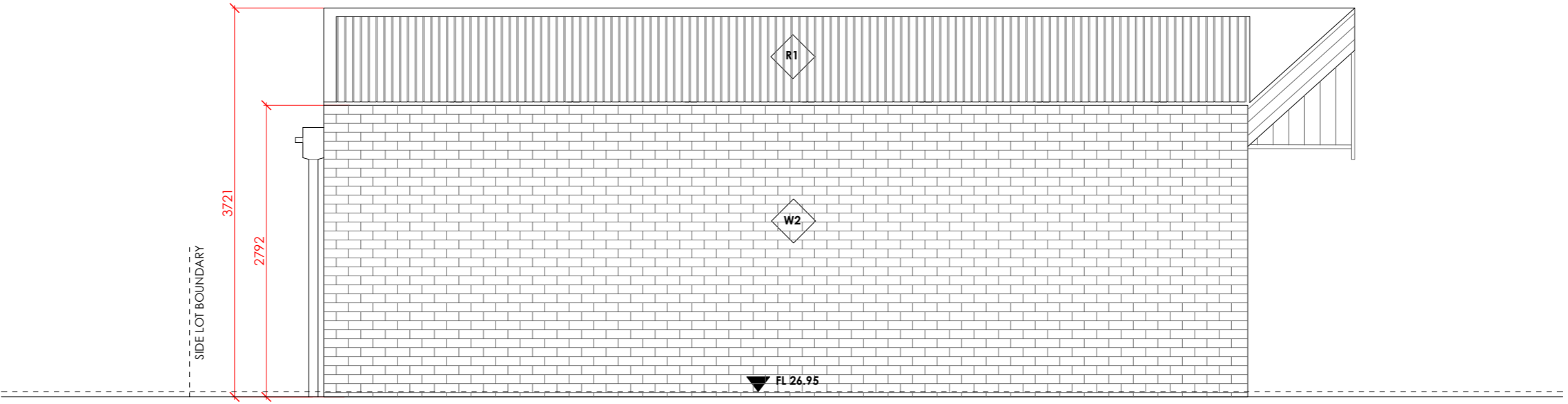
- F1 - FLOORING**
 SELECTED FLOORING
 100 REINFORCED CONCRETE
 DAMP PROOF MEMBRAME
 COMPACTED EARTH



1

SOUTH ELEVATION

1 : 50 @ A3



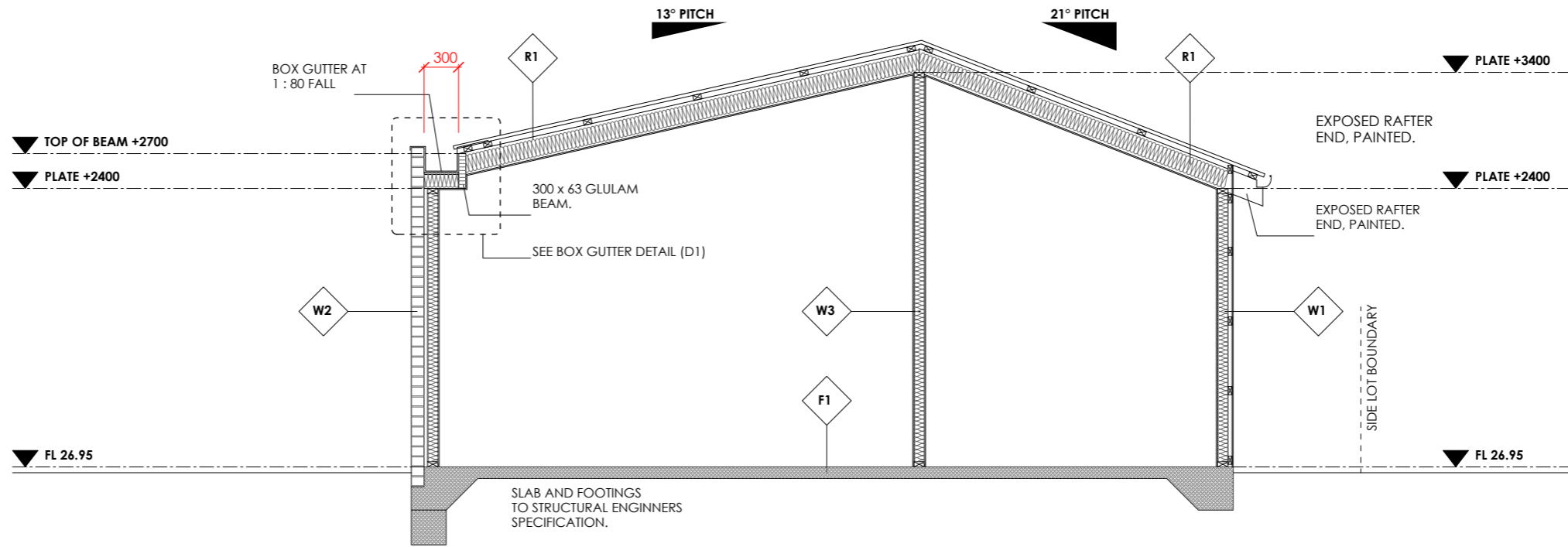
2

EAST ELEVATION

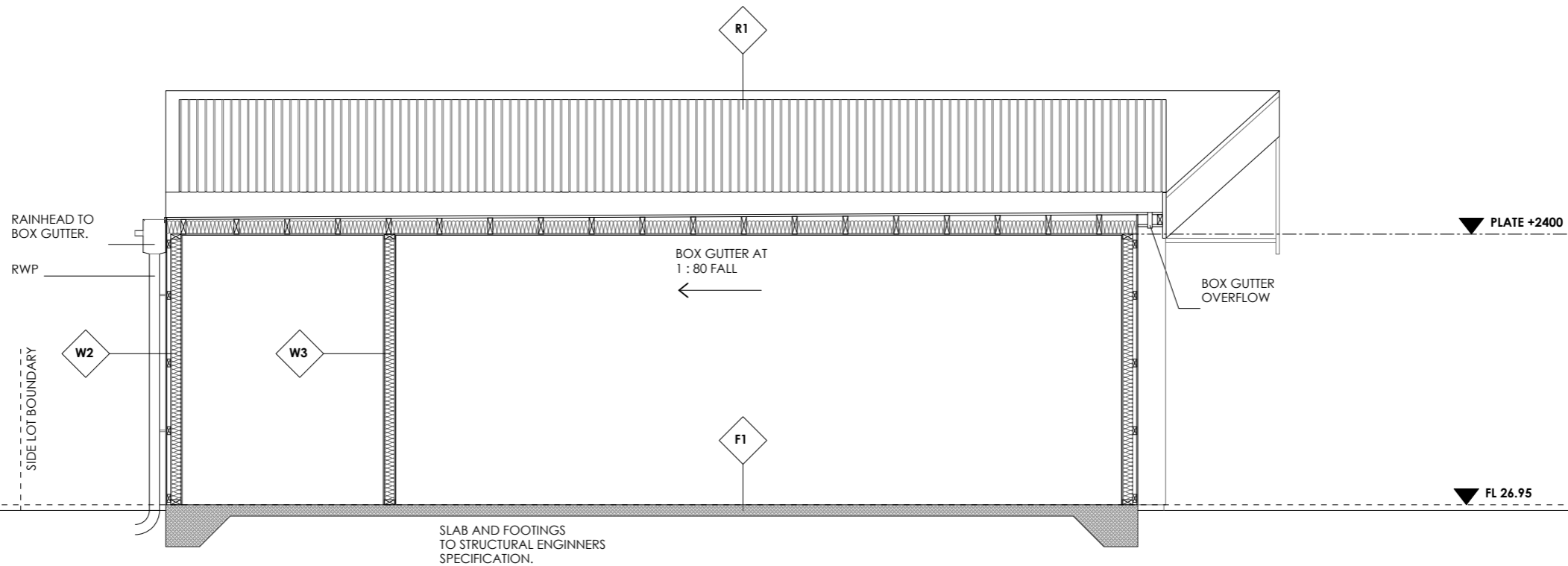
1 : 50 @ A3

PROJECT TITLE-	LOCATION-	PROJECT DESCRIPTION-	PROJECT No-	DRAWING TITLE-	No.	ISSUED	DATE	DRAWING No-	
IRWIN STREET PROPOSAL	79 IRWIN STREET EAST FREMANTLE	PROPOSED ANCILLARY DWELLING	ISSUED FOR-	W_021					USE FIGURED DIMENSION AT ALL TIMES. DO NOT SCALE OFF DRAWINGS. ALL DIMENSIONS AND LEVELS TO BE CHECKED BY CONTRACTOR PRIOR TO COMMENCING. IF DISCREPANCIES ARE FOUND, NOTIFY DESIGN OFFICE PRIOR TO COMMENCING. THIS DESIGN REMAINS THE COPYRIGHT OF WILD DESIGN OFFICE AND CANNOT BE COPIED WITHOUT PERMISSION.
				ELEVATION DRAWINGS					
				PAGE No-					
				REVIEW					

- W1 - EXTERNAL WALL**
 SELECTED CLADDING
 35 H2 TIMBER BATTEN
 SISLATION
 R2.5 INSULATION BATTS
 90 H2 TIMBER STUD WALL
 10 GYROCK
- W2 - EXTERNAL WALL**
 110 COMMON SOLID BRICK
 30 CAVITY
 SISLATION
 R2.5 INSULATION BATTS
 90 H2 TIMBER STUD WALL
 10 GYROCK
- W3 - INTERNAL WALL**
 10 GYROCK
 R2.5 SOUND ATTENUATING BATTS
 90 H2 TIMBER STUD WALL
 10 GYROCK
- R1 - ROOFING**
 SELECTED COLORBOND ROOF SHEETING
 ANTICON SISLATION
 45 x 70 H2 TIMBER BATTENS
 R3.5 INSULATION BATTS
 190 H2 TIMBER RAFTERS
 10 GYROCK
- F1 - FLOORING**
 SELECTED FLOORING
 100 REINFORCED CONCRETE
 DAMP PROOF MEMBRANE
 COMPACTED EARTH



S1 SECTION
1 : 50 @ A3



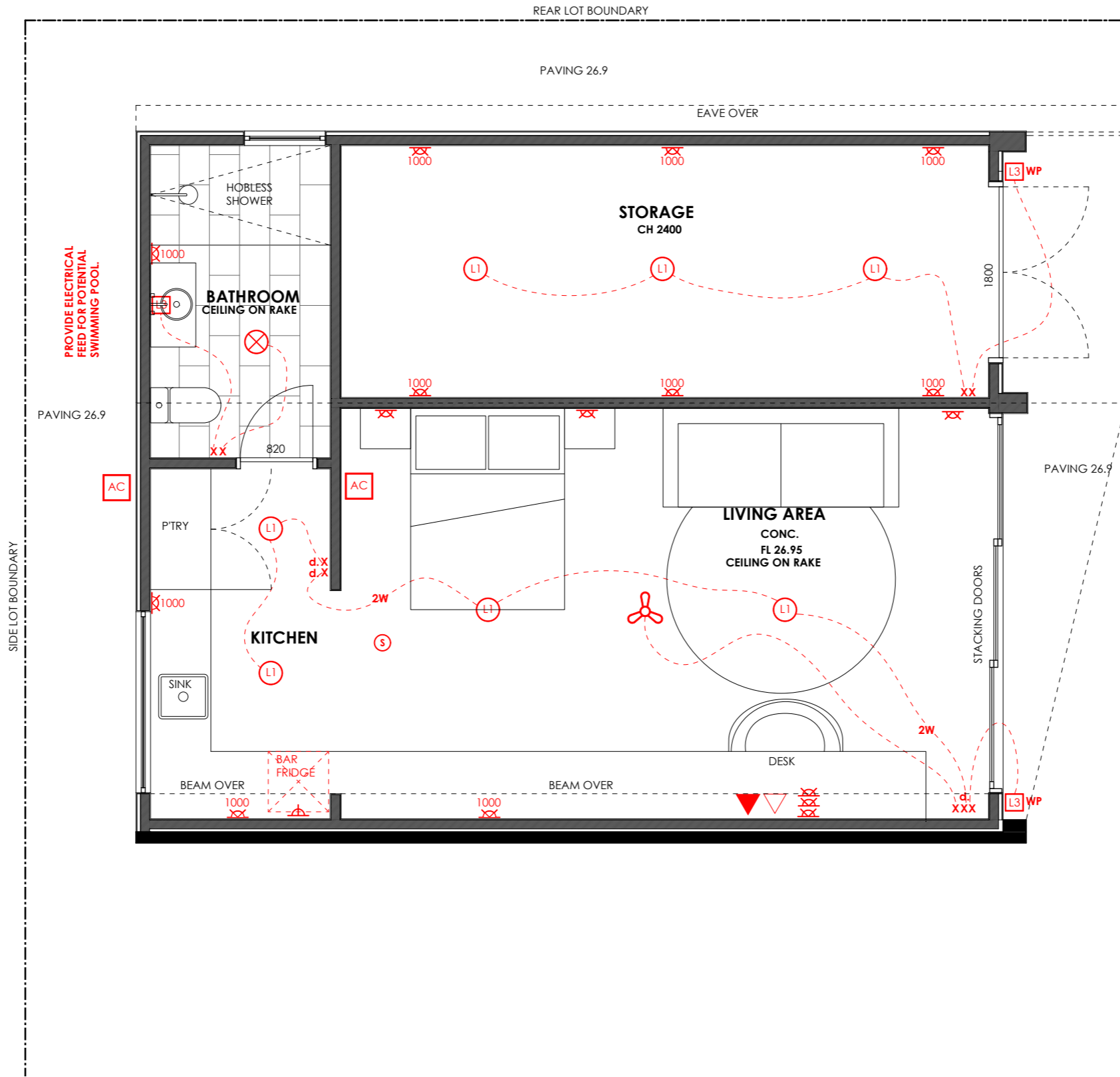
S2 SECTION
1 : 50 @ A3

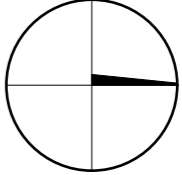
PROJECT TITLE-	LOCATION-	PROJECT DESCRIPTION-	PROJECT No-	DRAWING TITLE-	No.	ISSUED	DATE	DRAWING No-
IRWIN STREET PROPOSAL	79 IRWIN STREET EAST FREMANTLE	PROPOSED ANCILLARY DWELLING	ISSUED FOR-	W_021				
				SECTION DRAWINGS				
				PAGE No-				
				REVIEW				

USE FIGURED DIMENSION AT ALL TIMES. DO NOT SCALE OFF DRAWINGS. ALL DIMENSIONS AND LEVELS TO BE CHECKED BY CONTRACTOR PRIOR TO COMMENCING. IF DISCREPANCIES ARE FOUND, NOTIFY DESIGN OFFICE PRIOR TO COMMENCING. THIS DESIGN REMAINS THE COPYRIGHT OF WILD DESIGN OFFICE AND CANNOT BE COPIED WITHOUT PERMISSION.

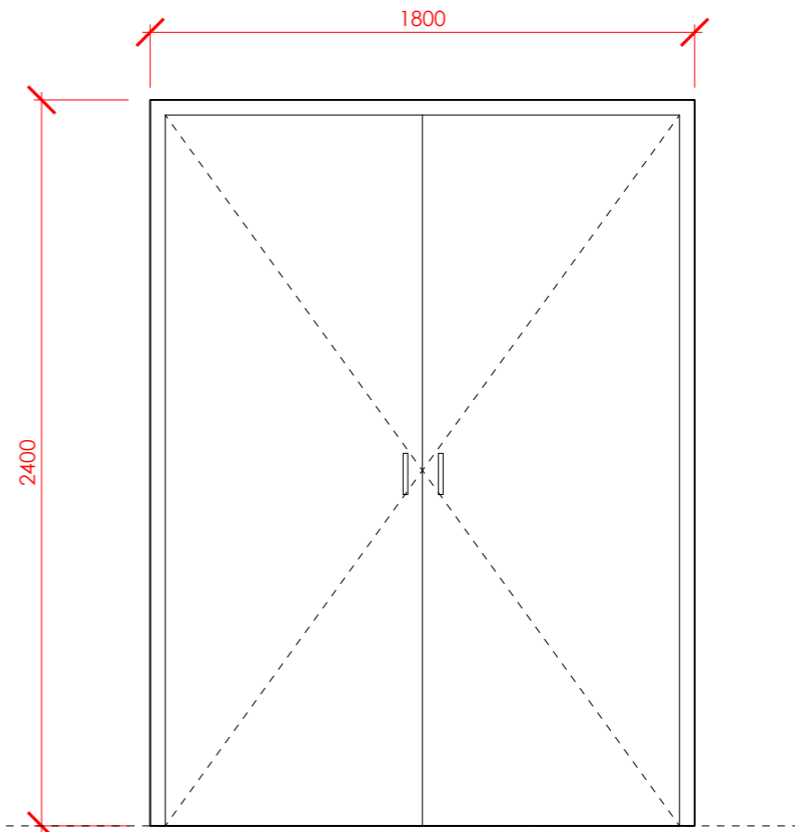
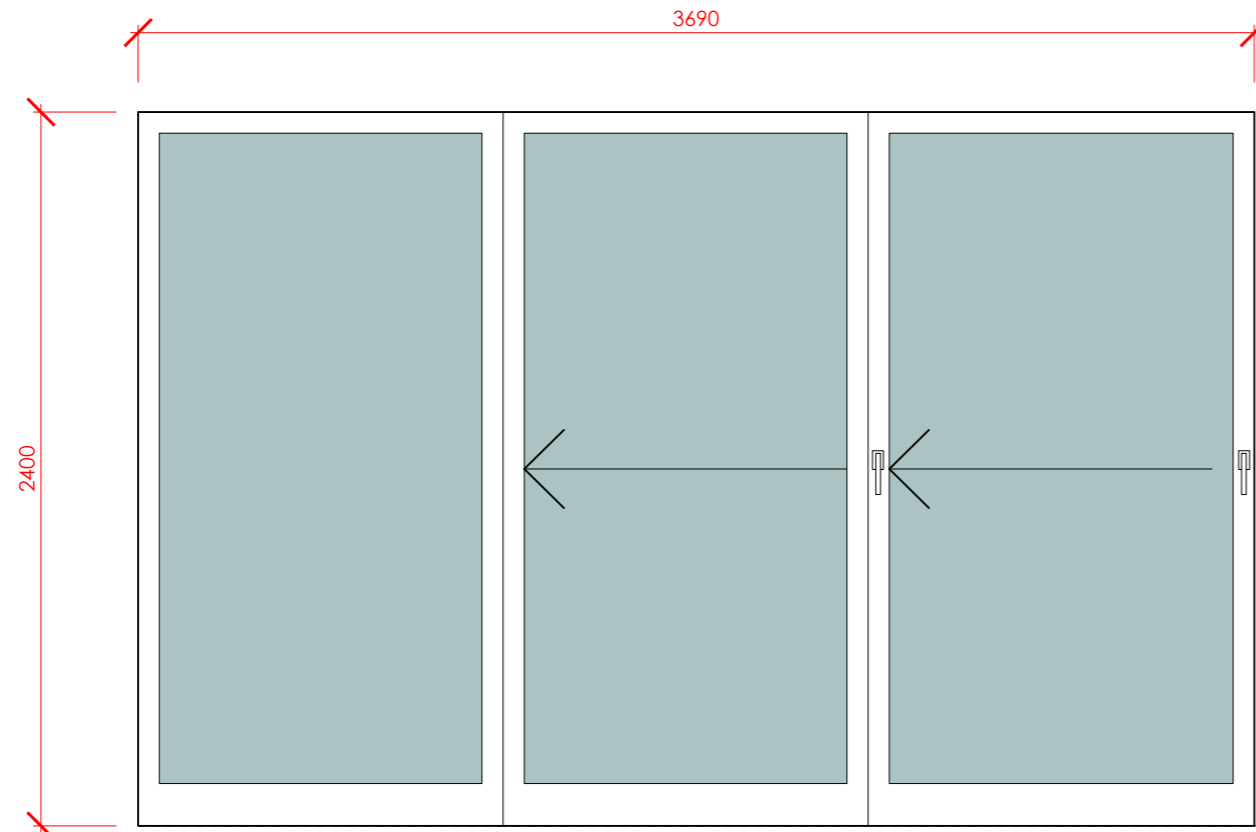
ELECTRICAL LEGEND

- X SWITCH
- 2W TWO WAY SWITCH
- d. DIMMER
- XX DOUBLE GPO AT 150 ABOVE FFL
- XX/1000 DOUBLE GPO AT NOMINATED HEIGHT ABOVE FFL
- ⚡ DEDICATED GPO
- (L1) LED DOWNLIGHT
- (L2) CEILING MOUNTED LIGHT
- (L3) WALL LIGHT
- ⊗ LIGHT + HEAT + EXHUAUST COMBO
- [L3] WALL MOUNTED LIGHT
- [L4] SPOTLIGHT WITH SENSOR
- WP WATERPROOF
- ⊕ CEILING LIGHT / FAN COMBINATION
- (S) SMOKE ALARM TO A.S. 3786:2014
- [AC] SPLIT SYSTEM AIR CONDITIONER
- ▼ DATA POINT
- ▽ TV ANTENNA




NORTH
ELECTRICAL PLAN
 1 : 50 @ A3

PROJECT TITLE-	LOCATION-	PROJECT DESCRIPTION-	PROJECT No-	DRAWING TITLE-	No.	ISSUED	DATE	DRAWING No-	USE FIGURED DIMENSION AT ALL TIMES. DO NOT SCALE OFF DRAWINGS. ALL DIMENSIONS AND LEVELS TO BE CHECKED BY CONTRACTOR PRIOR TO COMMENCING. IF DISCREPANCIES ARE FOUND, NOTIFY DESIGN OFFICE PRIOR TO COMMENCING. THIS DESIGN REMAINS THE COPYRIGHT OF WILD DESIGN OFFICE AND CANNOT BE COPIED WITHOUT PERMISSION.
IRWIN STREET PROPOSAL	79 IRWIN STREET EAST FREMANTLE	PROPOSED ANCILLARY DWELLING	ISSUED FOR-	W_021					
				ELECTRICAL PLAN					
				PAGE No-					
				REVIEW					

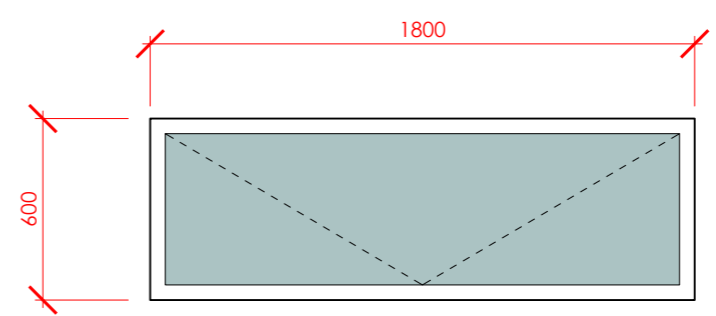
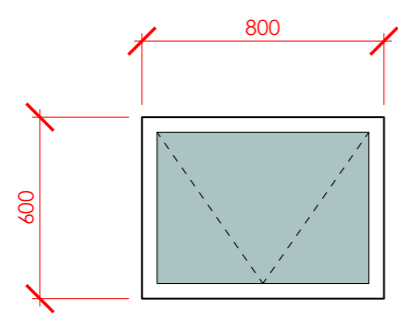


FFL 26.95

TAG	D01
DOOR TYPE	STACKING
GLAZING	CLEAR GLASS TO CODES & ENERGY CERT.
FRAME TYPE	ALUMINIUM - SELECTED BY CLIENT
FURNITURE	TO BE SELECTED BY CLIENT
COLOUR	TO BE SELECTED BY CLIENT
NOTES	PROVIDE LOCKING HARDWARE

FFL 26.95

TAG	D01
DOOR TYPE	HINGED - DOUBLE
LEAF TYPE	EXTERNAL SOLID CORE
FRAME TYPE	TIMBER - SELECTED BY CLIENT
FURNITURE	TO BE SELECTED BY CLIENT
COLOUR	TO BE SELECTED BY CLIENT
NOTES	PROVIDE LOCKING HARDWARE PROVIDE ALUMINIUM THRESHOLD PLATE



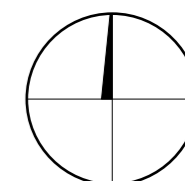
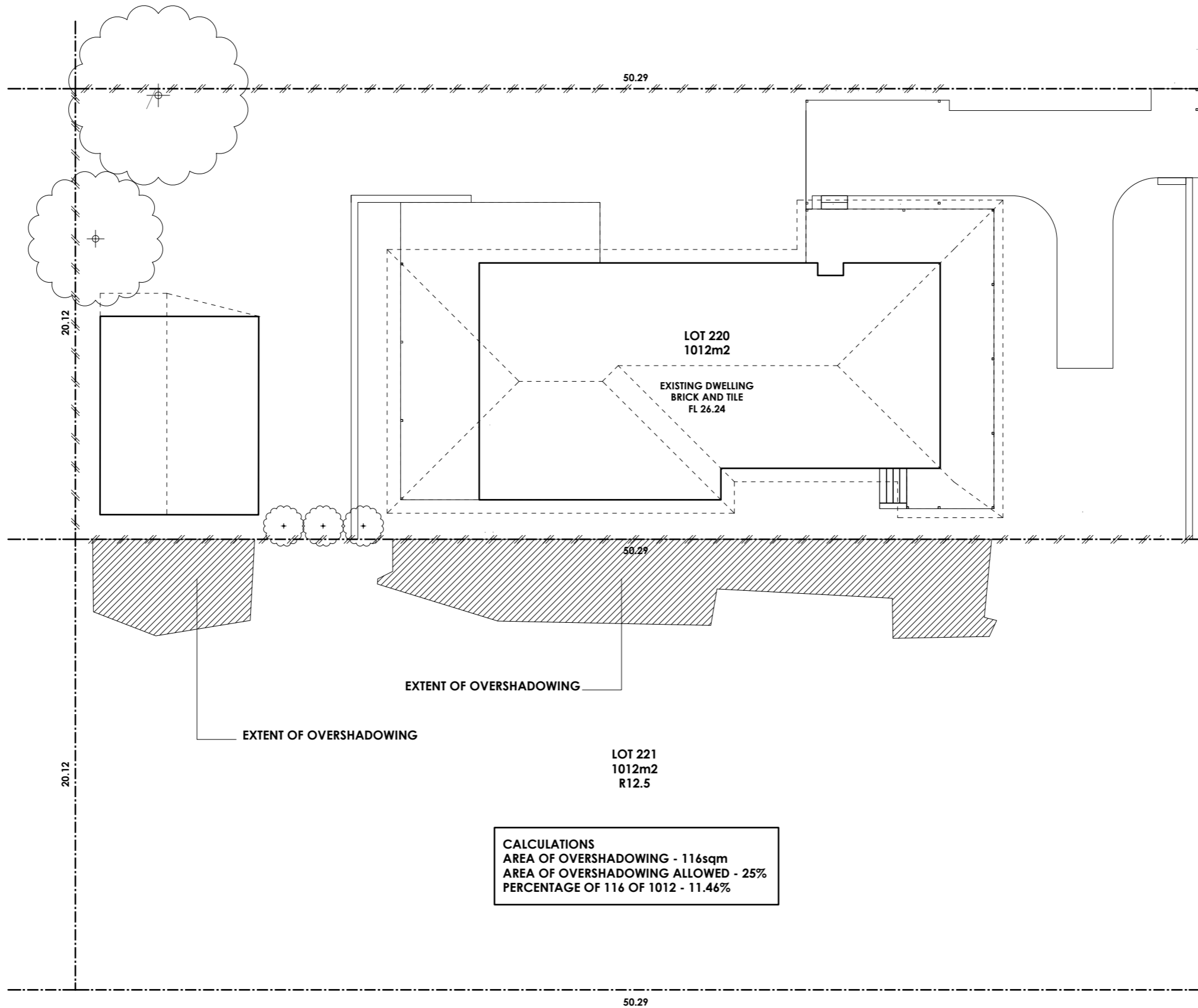
FFL 26.95

TAG	W01
WINDOW TYPE	AWNING
GLAZING	CLEAR GLASS TO CODES & ENERGY CERT.
FRAME TYPE	ALUMINIUM - SELECTED BY CLIENT
FURNITURE	TO BE SELECTED BY CLIENT
COLOUR	TO BE SELECTED BY CLIENT
NOTES	PROVIDE LOCKING HARDWARE PROVIDE INSECT SCREEN

FFL 26.95

TAG	W02
WINDOW TYPE	AWNING
GLAZING	CLEAR GLASS TO CODES & ENERGY CERT.
FRAME TYPE	ALUMINIUM - SELECTED BY CLIENT
FURNITURE	TO BE SELECTED BY CLIENT
COLOUR	TO BE SELECTED BY CLIENT
NOTES	PROVIDE LOCKING HARDWARE PROVIDE INSECT SCREEN

PROJECT TITLE- IRWIN STREET PROPOSAL	LOCATION- 79 IRWIN STREET EAST FREMANTLE	PROJECT DESCRIPTION- PROPOSED ANCILLARY DWELLING	PROJECT No- ISSUED FOR- REVIEW	DRAWING TITLE- W_021 OPENING SCHEDULE	PAGE No- 	<table border="1" style="width: 100%; border-collapse: collapse;"> <thead> <tr> <th>No.</th> <th>ISSUED</th> <th>DATE</th> </tr> </thead> <tbody> <tr><td> </td><td> </td><td> </td></tr> <tr><td> </td><td> </td><td> </td></tr> <tr><td> </td><td> </td><td> </td></tr> <tr><td> </td><td> </td><td> </td></tr> <tr><td> </td><td> </td><td> </td></tr> <tr><td> </td><td> </td><td> </td></tr> </tbody> </table>	No.	ISSUED	DATE																			DRAWING No- 	USE FIGURED DIMENSION AT ALL TIMES. DO NOT SCALE OFF DRAWINGS. ALL DIMENSIONS AND LEVELS TO BE CHECKED BY CONTRACTOR PRIOR TO COMMENCING. IF DISCREPANCIES ARE FOUND, NOTIFY DESIGN OFFICE PRIOR TO COMMENCING. THIS DESIGN REMAINS THE COPYRIGHT OF WILD DESIGN OFFICE AND CANNOT BE COPIED WITHOUT PERMISSION.
No.	ISSUED	DATE																											



NORTH

1

OVERSHADOWING

1 : 200 @ A3

PROJECT TITLE-	LOCATION-	PROJECT DESCRIPTION-	PROJECT No-	DRAWING TITLE-	No.	ISSUED	DATE	DRAWING No-
IRWIN STREET PROPOSAL	79 IRWIN STREET EAST FREMANTLE	PROPOSED ANCILLARY DWELLING	ISSUED FOR-	W_021 OVERSHADOWING				
			REVIEW	PAGE No-				

USE FIGURED DIMENSION AT ALL TIMES. DO NOT SCALE OFF DRAWINGS. ALL DIMENSIONS AND LEVELS TO BE CHECKED BY CONTRACTOR PRIOR TO COMMENCING. IF DISCREPANCIES ARE FOUND, NOTIFY DESIGN OFFICE PRIOR TO COMMENCING. THIS DESIGN REMAINS THE COPYRIGHT OF WILD DESIGN OFFICE AND CANNOT BE COPIED WITHOUT PERMISSION.