

Instinct Carpentry Pty Ltd.
 Shaun Mackereth 0450 652 226
 27 Mosedale Retreat Atwell 6164

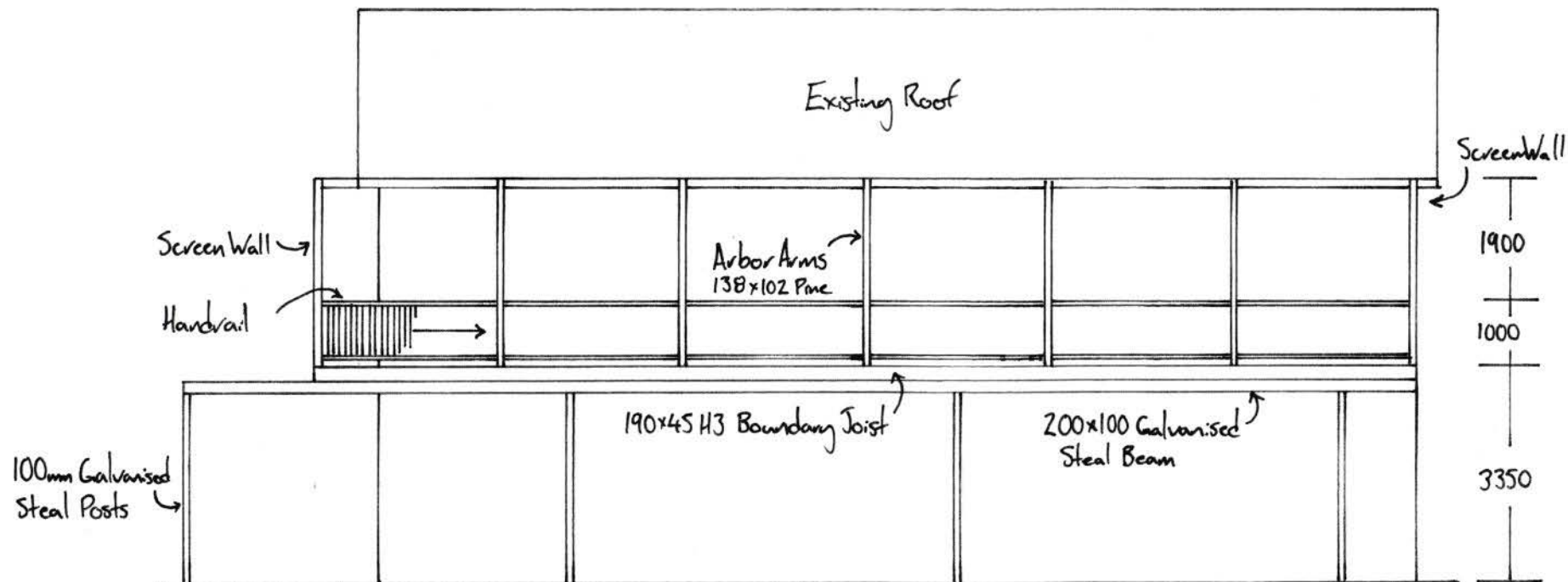
Proposed Plans For:
 32 View Terrace East Fremantle

Date: 03/02/2021

Scale: 1:200

Drawing Title: *Site Layout*

Sheet no: 1 of 9



North Elevation



Instinct Carpentry Pty Ltd.
Shaun Mackereth 0450 652 226
27 Mosedale Retreat Atwell 6164

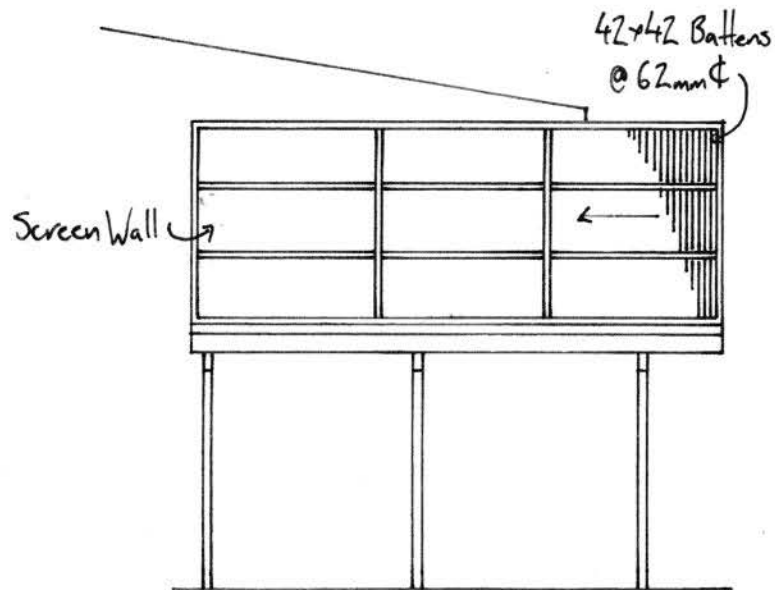
Proposed Plans For:
32 View Terrace East Fremantle

Date: 03/02/2021

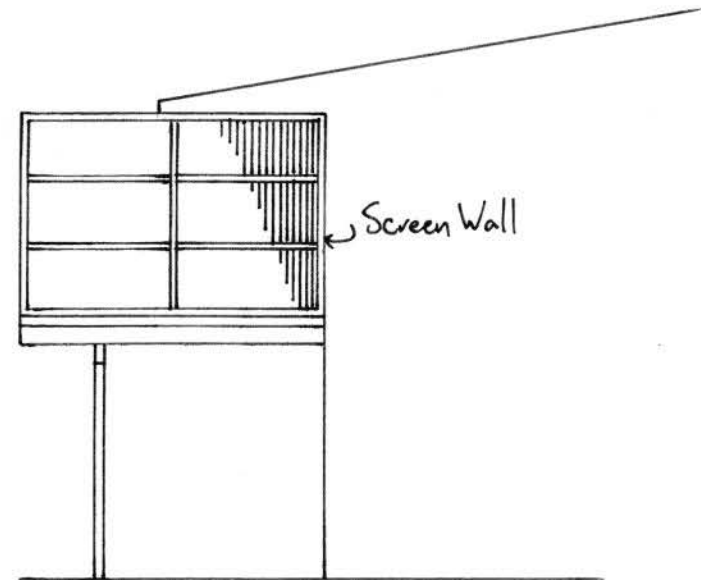
Scale: 1:100

Drawing Title: Elevation

Sheet no: 2 of 9



East Elevation



West Elevation



Instinct Carpentry Pty Ltd.
 Shaun Mackereth 0450 652 226
 27 Mosedale Retreat Atwell 6164

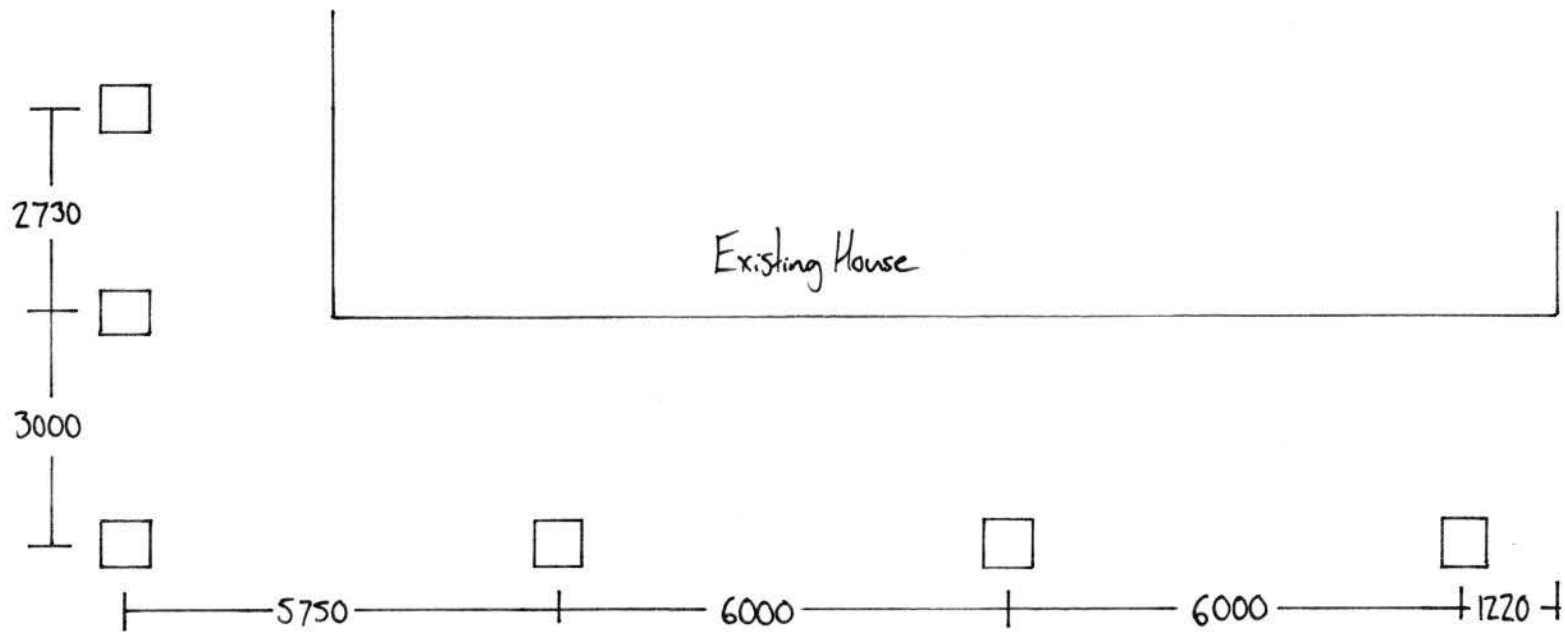
Proposed Plans For:
 32 View Terrace East Fremantle

Date: 03/02/2021

Scale: 1 : 100

Drawing Title: Elevation

Sheet no: 3 of 9



Instinct Carpentry Pty Ltd.
 Shaun Mackereth 0450 652 226
 27 Mosedale Retreat Atwell 6164

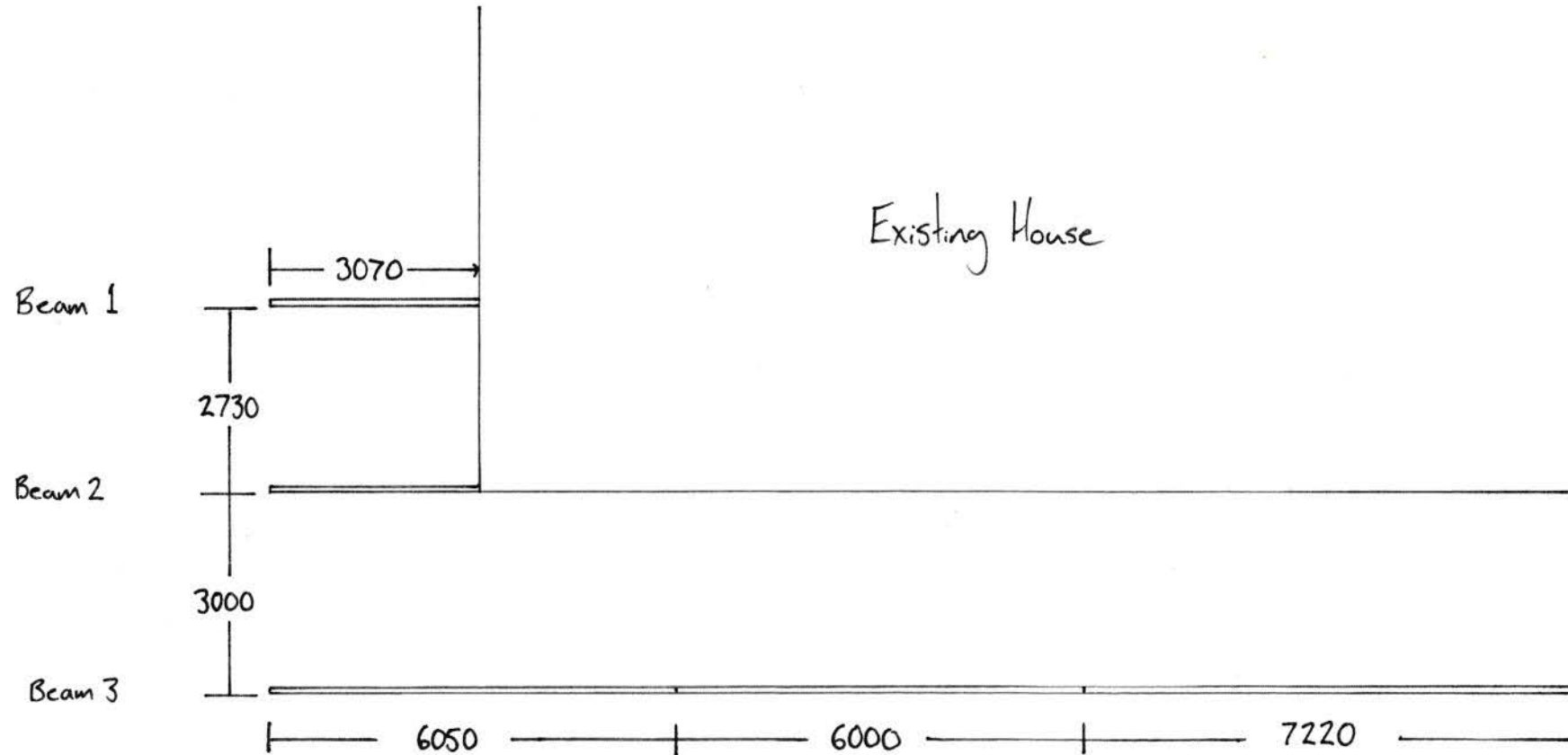
Proposed Plans For:
 32 View Terrace East Fremantle

Date: 03/02/2021

Scale: 1 : 100

Drawing Title: Footing Layout

Sheet no: 4 of 9



Instinct Carpentry Pty Ltd.
 Shaun Mackereth 0450 652 226
 27 Mosedale Retreat Atwell 6164

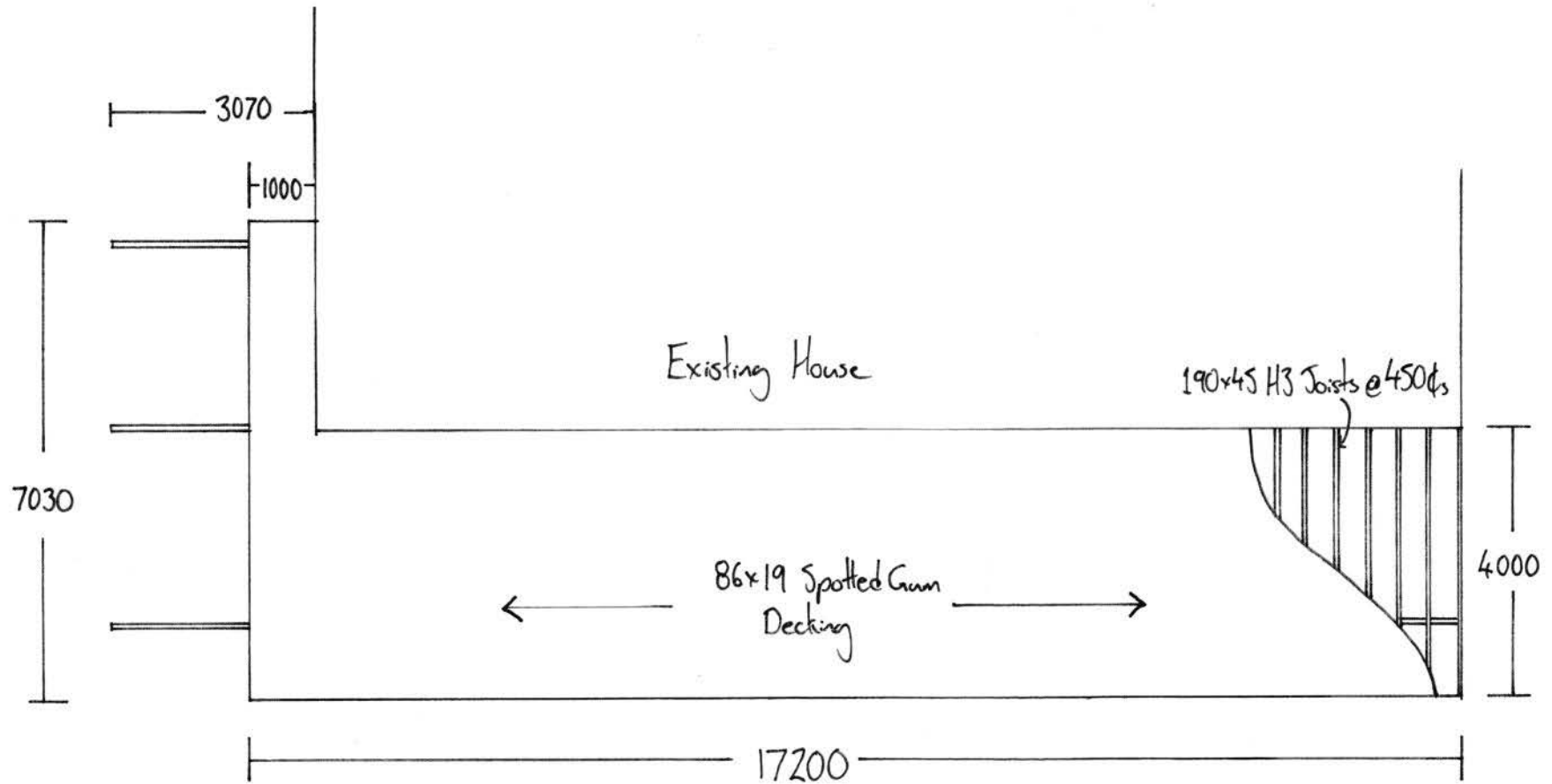
Proposed Plans For:
 32 View Terrace East Fremantle

Date: 03/02/2021

Scale: 1:100

Drawing Title: Beam Layout

Sheet no: 5 of 9



Instinct Carpentry Pty Ltd.
 Shaun Mackereth 0450 652 226
 27 Mosedale Retreat Atwell 6164

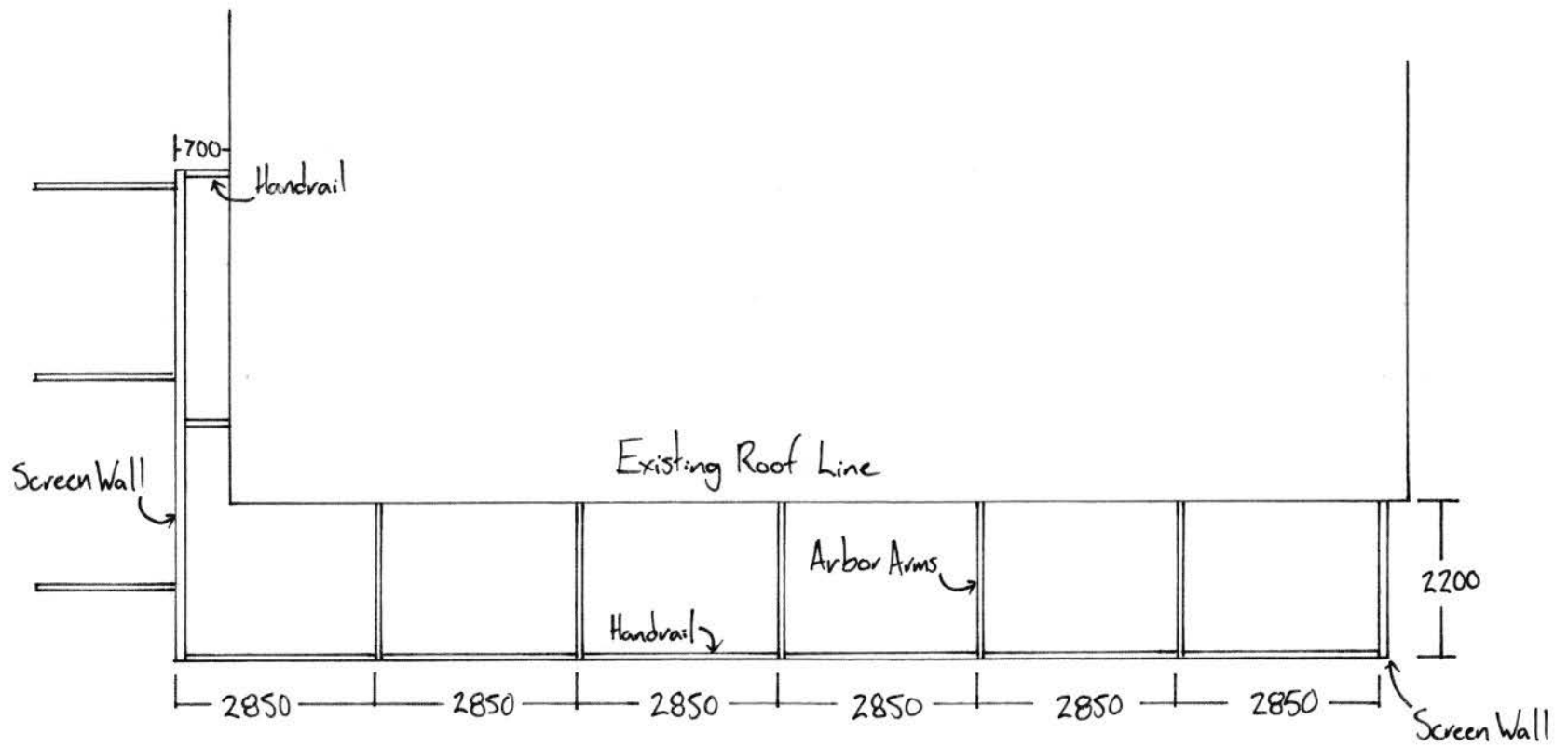
Proposed Plans For:
 32 View Terrace East Fremantle

Date: 03/02/2021

Scale: 1:100

Drawing Title: *Decking and Joist Layout*

Sheet no: 6 of 9



Instinct Carpentry Pty Ltd.
 Shaun Mackereth 0450 652 226
 27 Mosedale Retreat Atwell 6164

Proposed Plans For:
 32 View Terrace East Fremantle

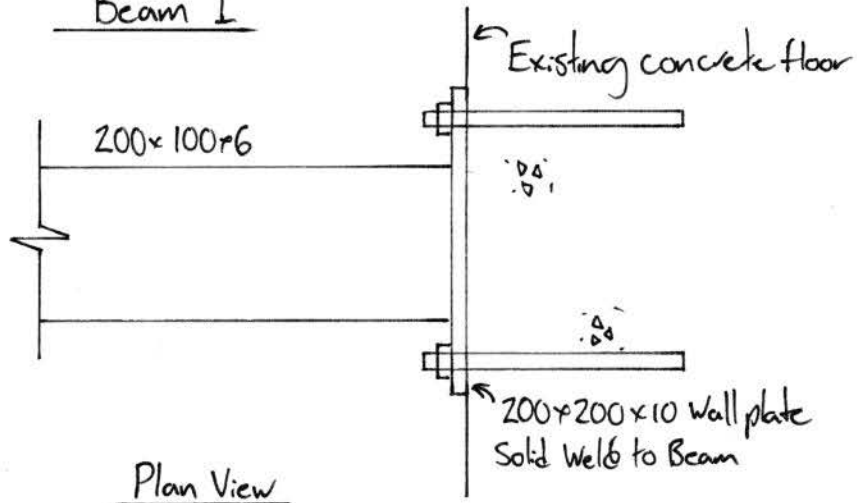
Date: 03/02/2021

Scale: 1:100

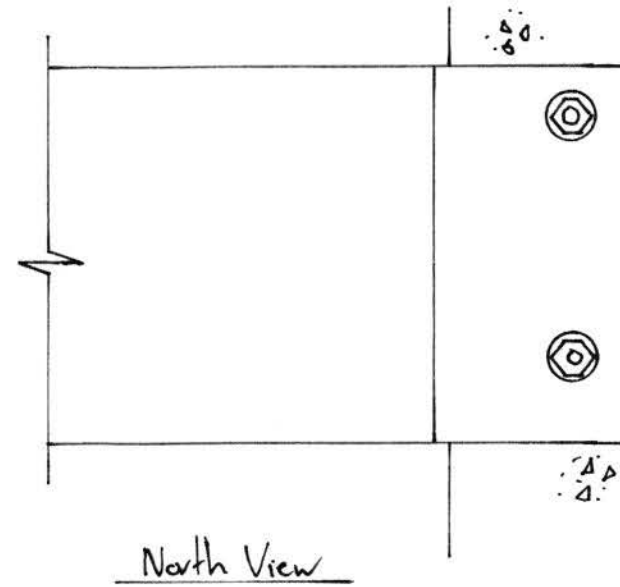
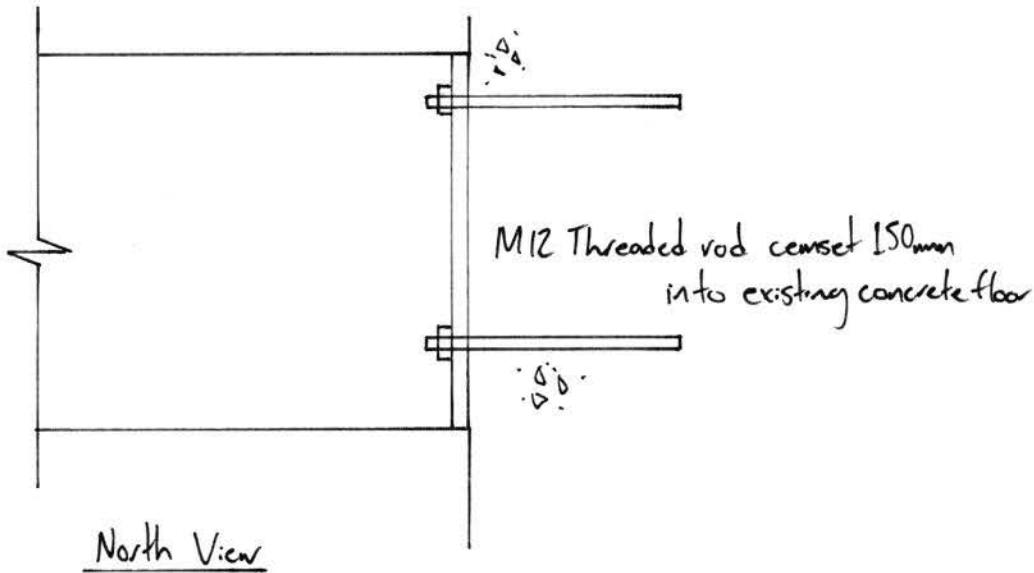
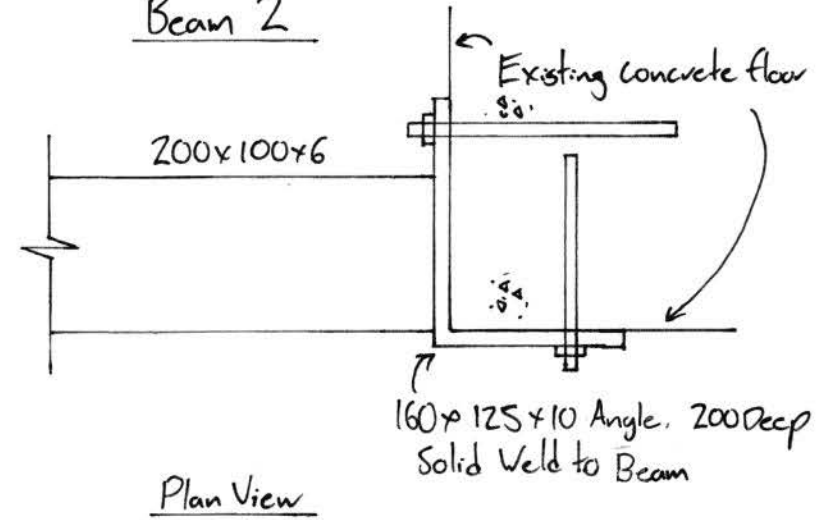
Drawing Title: *Arbor and Handrail Layout*

Sheet no: *7 of 9*

Beam 1



Beam 2



Instinct Carpentry Pty Ltd.
Shaun Mackereth 0450 652 226
27 Mosedale Retreat Atwell 6164

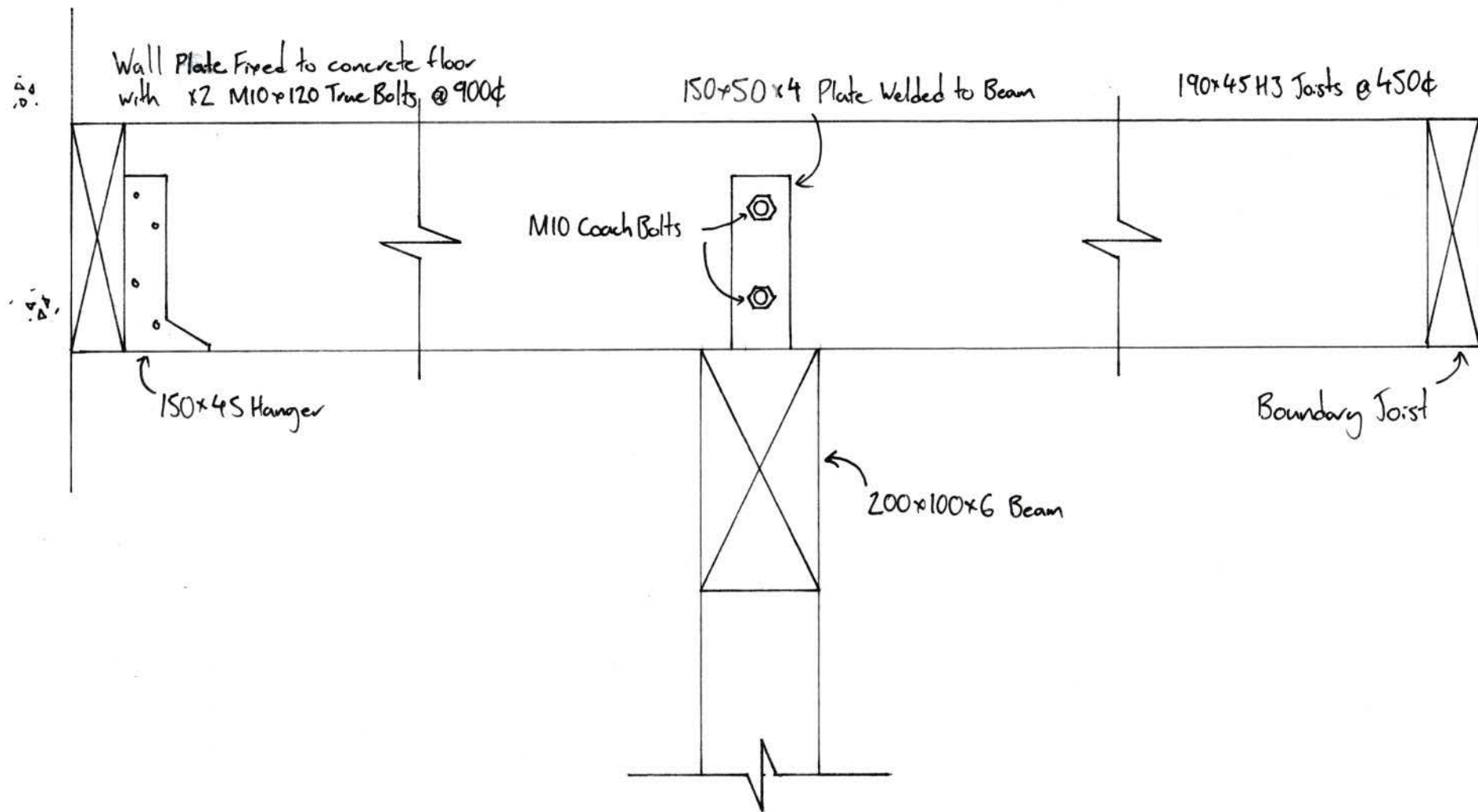
Proposed Plans For:
32 View Terrace East Fremantle

Date: 03/02/2021

Scale: 1:4

Drawing Title: Beam 1-2 Fixing Details

Sheet no: 8 of 9



Instinct Carpentry Pty Ltd.
 Shaun Mackereth 0450 652 226
 27 Mosedale Retreat Atwell 6164

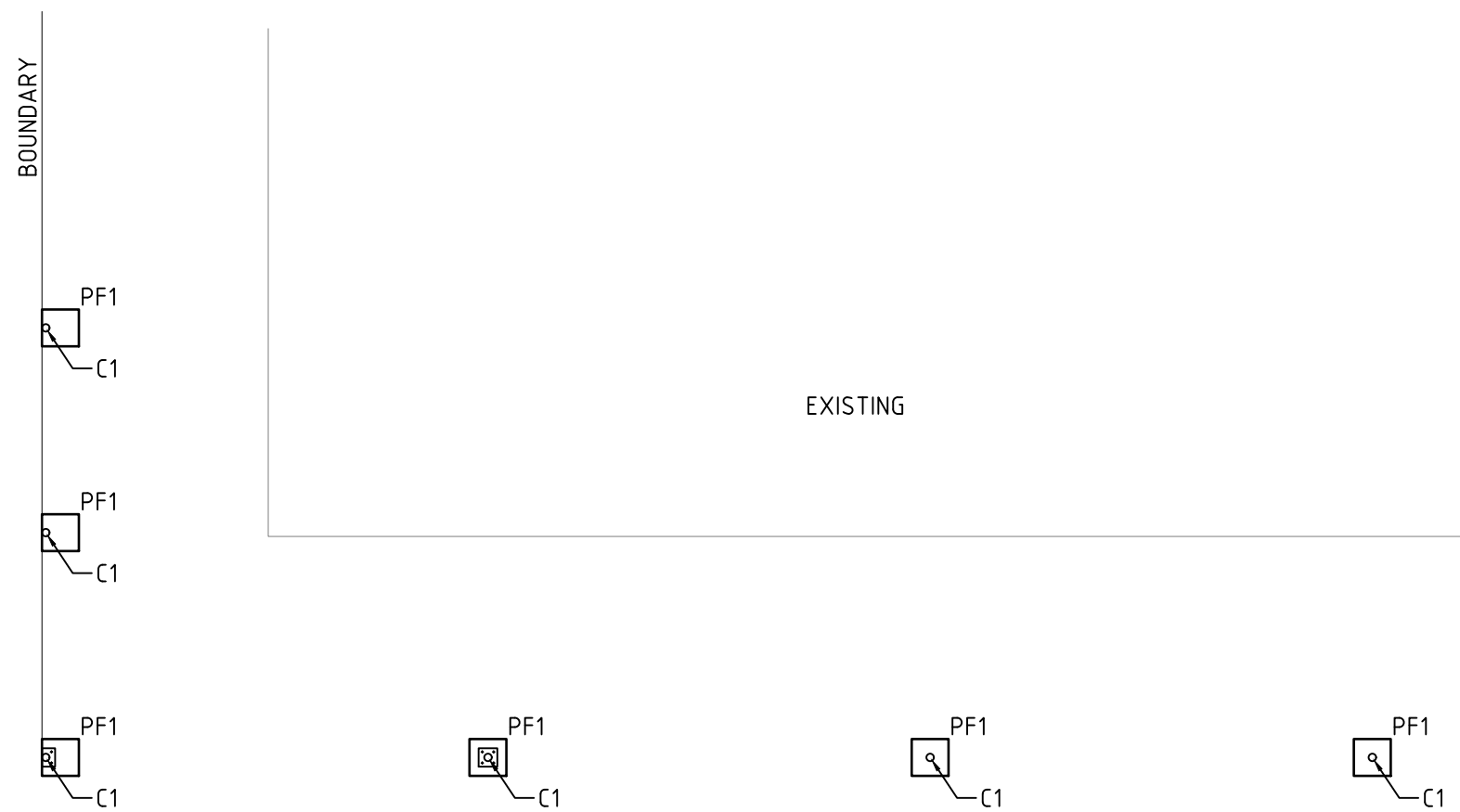
Proposed Plans For:
 32 View Terrace East Fremantle

Date: 03/02/2021

Scale: 1:5

Drawing Title: Joist Detail

Sheet no: 9 of 9



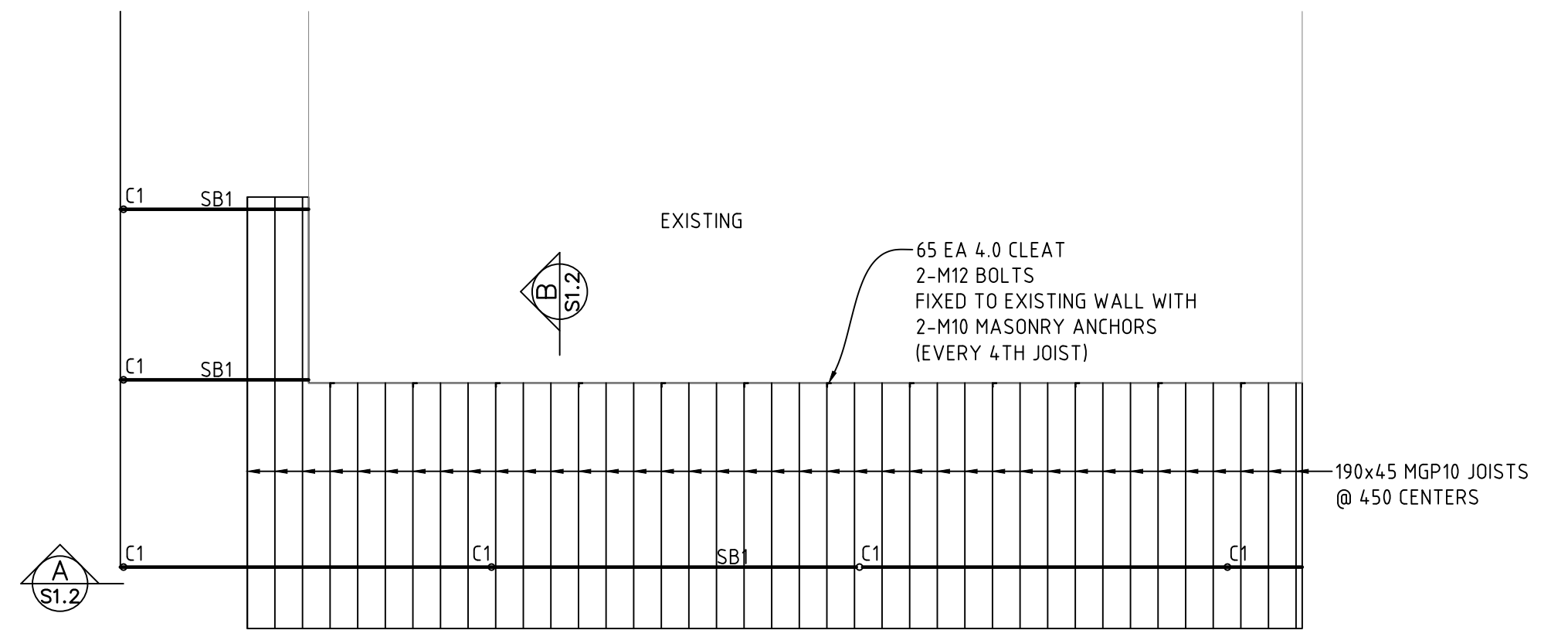
FOOTING PLAN

1:100

COLUMN SCHEDULE		
No.	SIZE	COMMENT
C1	102 CHS 5.0	-

FOOTING SCHEDULE		
No.	SIZE	COMMENT
PF1	500x500x350 DEEP	SL81 MESH

STEELWORK CORROSION PROTECTION
 CLASS 2.5 BLAST CLEAN AND INORGANIC ZINC SILICATE TO 100 MICRONS
 MINIMUM DRY FILM BUILD.
 REFER ARCHITECT SPECIFICATION FOR ADDITIONAL PAINT FINISHES



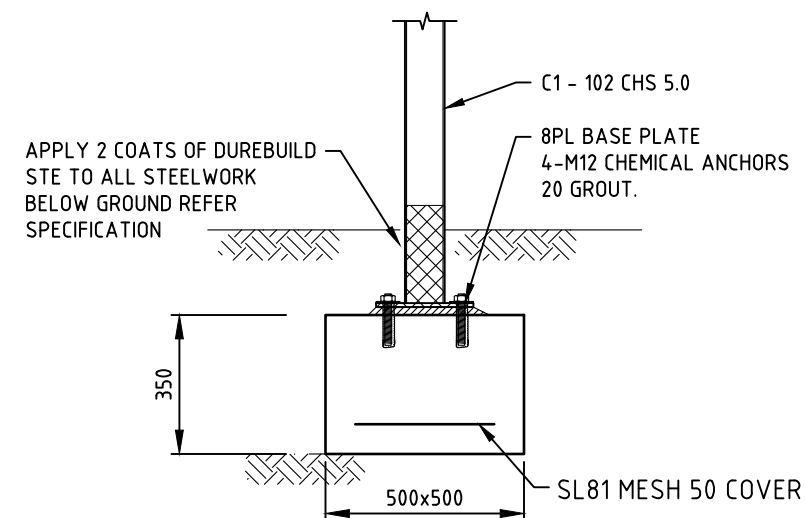
DECK PLAN

1:100

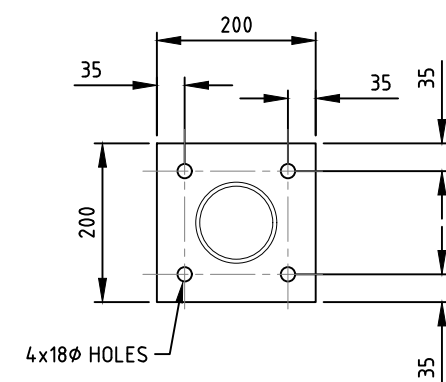
COLUMN SCHEDULE		
No.	SIZE	COMMENT
C1	102 CHS 5.0	-

MEMBER SCHEDULE		
No.	SIZE	COMMENT
SB1	200x100 RHS 6.0	-

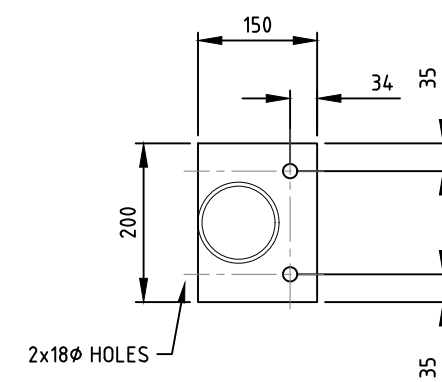
STEELWORK CORROSION PROTECTION
 CLASS 2.5 BLAST CLEAN AND INORGANIC ZINC SILICATE TO 100 MICRONS
 MINIMUM DRY FILM BUILD.
 REFER ARCHITECT SPECIFICATION FOR ADDITIONAL PAINT FINISHES



PF1-C1 DETAIL
 OFFSET FOOTINGS & BASEPLATE TO SUIT BOUNDARY LOCATIONS



TYPICAL C1 BASEPLATE
 8 PLATE BASEPLATE



TYPICAL C1 BASEPLATE
 8 PLATE BASEPLATE
 DETAIL APPLIES ADJACENT TO BOUNDARY

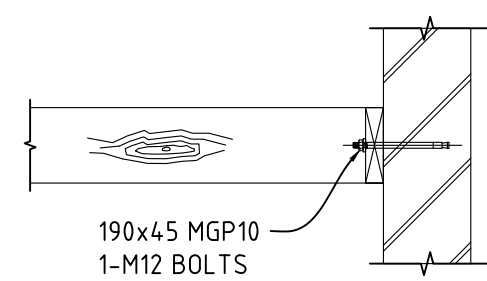
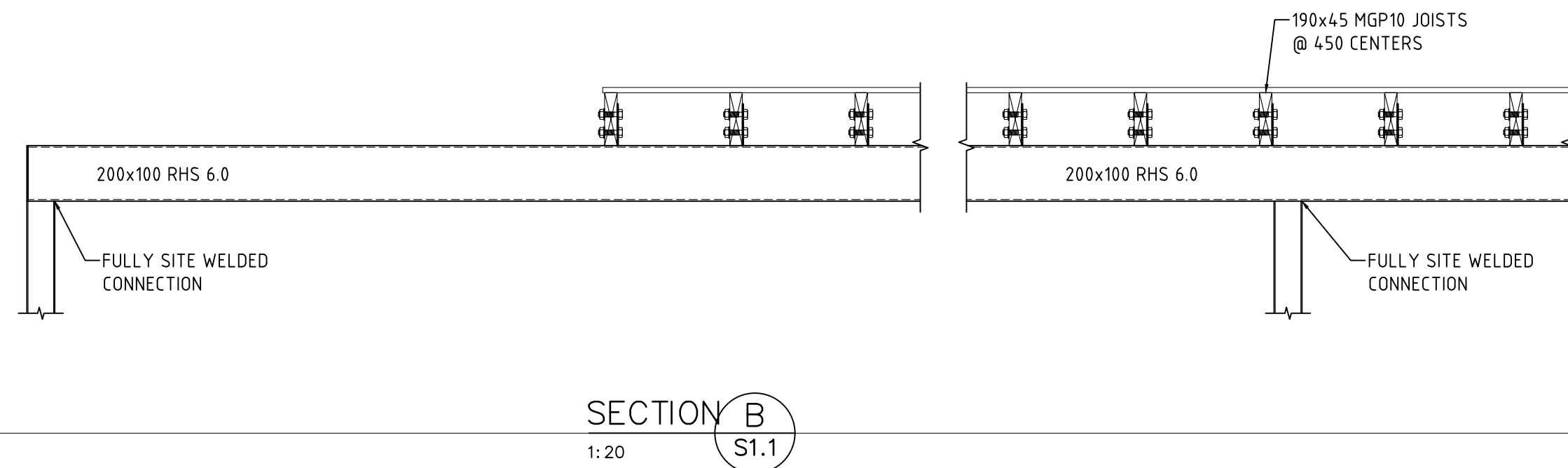
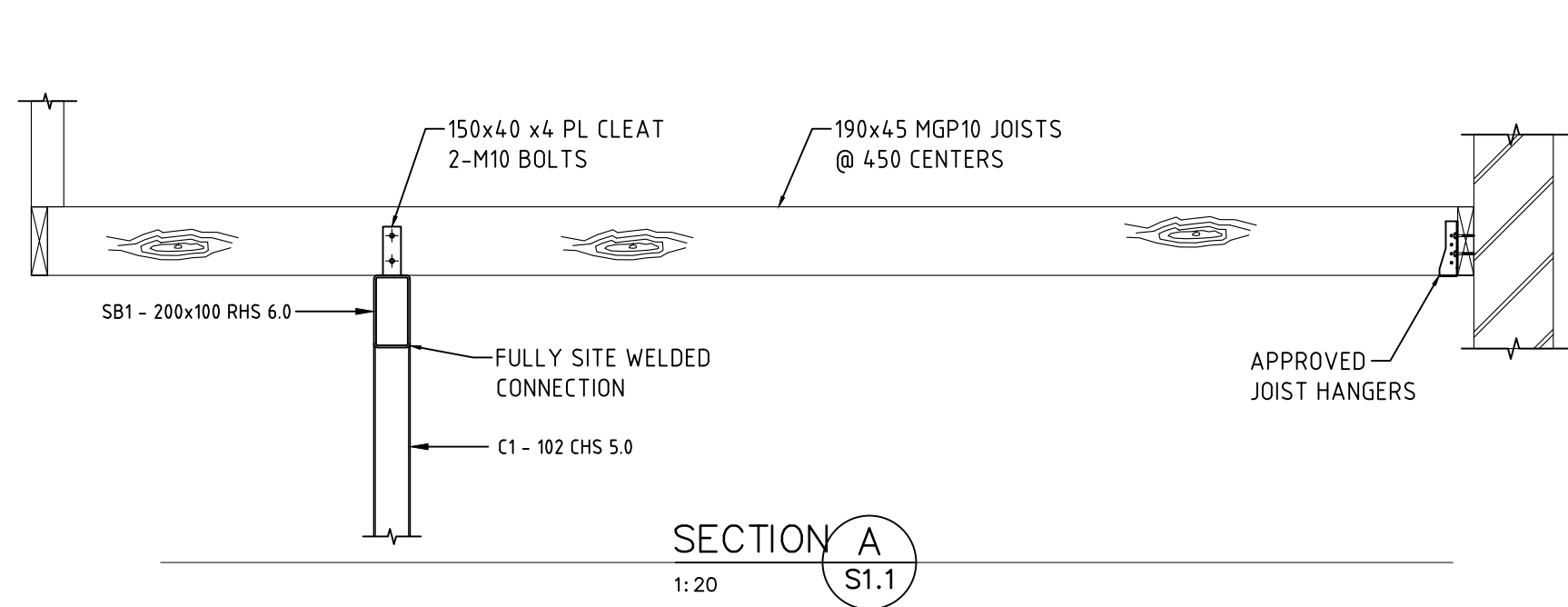
Matthew John Buggins
 MIEAust
 Membership No. 444306

CLIENT **INSTINCT CARPENTRY**

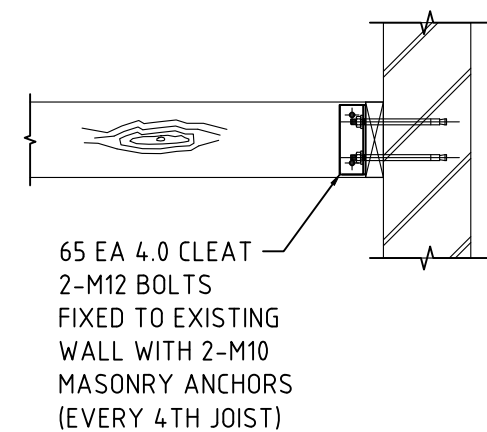
PROJECT **PROPOSED DECK
 VIEW TERRACE EAST FREMANTLE**
 TITLE **STRUCTURAL PLANS & FOOTING DETAILS**

MBSE
 Consultants Pty Ltd
 STRUCTURAL ENGINEERS
 12 INSTONE STREET
 HILTON WA 6163
 phone (08) 9314 5189
 fax (08) 9314 5189
 mobile 0407 084 364
 email mbse@westnet.com.au
 ABN 20 107 574 783

A	ISSUED FOR BUILDING LICENSE	06-03-21	MB
REV.	DESCRIPTION	DATE	CHK
DESIGNED	MJB	CHECKED	MB
DRAWN	MB	APPROVED	
SCALE	1:100:1:20	AT	A2 SIZE
JOB No.	21-043	DRAWING No.	S1.1
CAD. FILE			A



TYPICAL JOIST-WALL PLATE DETAIL



TYPICAL WALL PLATE-EXISTING DETAIL

Matthew John Buggins
MIEAust
Membership No. 444306

CLIENT **INSTINCT CARPENTRY**

PROJECT **PROPOSED DECK
VIEW TERRACE EAST FREMANTLE
STRUCTURAL DETAILS**

MBSE
Consultants Pty Ltd
STRUCTURAL ENGINEERS

12 INSTONE STREET
HILTON WA 6163
phone (08) 9314 5189
fax (08) 9314 5189
mobile 0407 084 364
email mbse@westnet.com.au
ABN 20 107 574 783

A	ISSUED FOR BUILDING LICENSE	06-03-21	MB
REV.	DESCRIPTION	DATE	CHK
DESIGNED	MJB	CHECKED	MB
DRAWN	MB	APPROVED	
SCALE	1:20	AT A2 SIZE	
JOB No.	DRAWING No.	REV	
21-043	S2.1	A	
CAD. FILE			

PLOT DATE



3.33 m

7.50 m from boundary

1.60 m

3.33 m